



PRAETORIAN GUARD

IP / 4G INTERCOMS



ACCESS THE FUTURE



Praetorian Guard

IP Video Intercom



4G
4G access points
available for
remote internet
access!



Long Range Antenna (2.4GHz)
(up to 65 yards working range
depending on router type and location)

Existing Wi-Fi Hub

Praetorian APP

- **Speak to your visitors from anywhere in the world.**
- Grant access remotely - Send a command to the gate motor via the app to open your gates etc.
- Keypad Codes – 24-7 / Timed / Temporary (Optional)
- No Touch Access - PROX Cards/ Tags - 24-7 / Timed / Temporary (Optional)
- Voicemail - Visitors can leave a video message when unanswered.
- Multi-User - Add up to 8 maximum devices per Intercom ID. (incl ADMIN user. 4 maximum for optimal performance.)
- Connect via WiFi, LAN Cable or 4G Access Point (Sold Separately) (Dualband WIFI. 2.4 & 5.8G wifi (IEEE 802.11a/b/g/n/ac)
- Volume of external speaker adjustable at the call-point.
- Super clear, 120° HD camera image.





Security screw access



***HD camera with video motion sensor**



Colour camera with night vision and IR cut filter

Infra-red night vision illuminators



Waterproof Mylar 1.5W speaker



Illuminated push button
Optional illuminated keypad.



High gain Wi-Fi antenna

60 degree transmission to concentrate & extend range. Weatherproof for outdoor use.



4G MODEM

Add 4G modem to Praetorian Guard IP Intercom for 4G access point.



Installer / User App



App images for illustrative purposes only.



View your camera in full screen mode.



- System can work with smartwatches however notifications may vary due to smartwatch brand & capabilities.



Events log for Keypad codes, Calls, Voicemails, Prox ID's. (past 100)



7-day schedule for auto relay opening.



Notifications for calling, relay triggers (prox, keypad codes, in app latching, scheduled latching/unlatching.



Sync device time to device.



Prox & Keypad codes added via App.

GENERAL

Front Panel	Portrait Orientation AB/ABK = 3mm Acrylic on Architectural Design Marine Grade Stainless Steel BS316 Front Plate. AS/ASK = 3mm Marine Grade Stainless Steel BS316 on Architectural Design Marine Grade Stainless Steel BS316 Front Plate. FS/FSK = Flush Design Marine Grade Stainless Steel BS316 Front Plate. IB/IBK = 3mm Acrylic on Imperial Design Marine Grade Stainless Steel BS316 Front Plate. Modular = Powder Coated Marine Grade Stainless Steel BS316 Front Plates with 3mm Acrylic on Design Marine Grade, Stainless Steel BS316 Modular Plates. Landscape Orientation PB/PBK = Pedestal Surface Mount Powder coated Aluminium
Hood Cover (MOD, IMP(K), PED versions)	
Mounting Housing (Backbox)	Marine Grade Stainless Steel BS316
Mounting Type	Surface-Mounted with backlighting, Flush-mounted version sold separately
Call Button	Stainless-steel button with illuminated LED Ring
Weatherproof	IP55
Approvals	CE, FCC
Dimensions	See Overview of Call Points
Operating Temp.	-25 to +55°C / -13 to 131°F
Power Supply	24V DC
Power Consumption	IP PCB w/Keypad & Prox Standby = 80mA Operating = 300mA
Solar Power	45Watt Solar Panel (minimum) 2x 12V 15AH Batteries connected in series to provide 24V output
Connectors	LAN (RJ45) 2 x Bistable latching relay, max. 1-28V DC/AC, 1A, e.g. for magnetic door lock External input for push to exit button 24V DC input (+, -)
System Requirements	Mobile device: Newest iOS on iPhone/iPad, newest Android on Smartphone/Tablet Internet: High-Speed Landline Broadband Internet connection, DSL, cable or fibre optic, no socks or proxy server. Min. suggested upload speed of 1.5mbps, Network: Ethernet Network, with DHCP / WIFI 2.4GHz/5.8GHz (with applicable antenna)
Recommended Installation Height	Camera lens should be at a min. height of 145 cm (57 in). Before the installation please determine your optimal installation height.

KEYPAD MODULE

Power Supply	24V DC
Steel Keypad Module	12 Square Silicon Keys Blue illumination Keypad Codes configurable via App, Slave connection to allow up to an additional 8 slave devices
Silicon Keypad Module	12 Round Silicon Keys Blue illumination Keypad Codes configurable via App, Slave connection to allow up to an additional 8 slave devices

THIRD-PARTY INTEGRATIONS

Partners	N/A - Coming Soon
API	N/A - Coming Soon

VIDEO

Camera	HD 720p, dynamic (VGA – HD)
Lens	120° (D), 109° (H), 65° (V) IR-capable
Display Resolution	Switchable in the app by the Admin user. HD resolution: 1280*720 SD resolution: 640*480
Video Codec	H264
Night-Vision	Yes, light sensor, automatic IR-cut filter, 5 Infrared LEDs
Storage	On-Board Micro SD Card (NOT included) Max read capacity 32GB Estimated capacity based on 16GB: 5,592 Video Clips (3MB) {AVI.} 33,500 images (0.5MB) {JPG} Supports Hot Swapping. Auto overwrites oldest data at 80% capacity FAT32 Formatting

MOTION SENSOR

Type	Active
Detection Type	Digital (Pixel-based) Changes of pixilation. This is processed by the CPU identifying any major/minor changes in pixels that is defined by a predetermined algorithm.
Range	>5m, depends on environment, distance is fixed

AUDIO

Audio Components	Speaker and microphone, noise reduction and echo cancellation (ANR, AEC)
Audio Streaming	Two-way, full duplex & half-duplex (switchable in-app)
Audio Codec	PCM/ARAW

NETWORK

WiFi	IEEE 802.11a/b/g/n/ac
WiFi Security	WPA / WPA2 / WPA3
Frequency Range	2.4GHz-2.4385GHz; 5.15GHz-5.845GHz
Ethernet	IEEE 802.3
Supported Protocols	HTTP, HTTPS, SSL/TLS, Bonjour, DNS, RTSP, RTP, TCP, UDP, RTCP, ICMP, DHCP, ARP

4G ROUTER

Power Supply	24V DC
Interface	Custom OpenWrt
Antenna Type	SMA
SIM Tray	NANO
LAN Ports	2 x 10/100 Mbps - LAN/WAN
Direct Cable Connection	8 Pin Spring Connector Terminal Block (Linked to 1 x LAN ports)
GSM Modem Models	4G Europe - SIM7600E 4G USA - SIM7600A 4G AUS/NZ - SIM7600SA
Frequency Range	LTE-TDD = B38/B40/B41 LTE-FDD = B1/B3/B5/B7/B8/B20 UMTS/HSPA+ = B1/B5/B8 GSM/GPRS/EDGE = 900/1800MHz
RF Output Power (EIRP)	32.55dBm (GSM 900), 29.73dBm (DCS 1800) 23.77dBm (WCDMA Band I), 23.78dBm (WCDMA Band VIII) 22.79dBm, 22.73dBm, 22.97dBm, 22.35dBm, 22.99dBm (LTE B1, B3, B7, B8, B20)

Kits and part numbers

PRAE-IP-PB-US

(Kit includes speech panel, antenna, power supply and install manual)



PRAE-IP-PBK-US

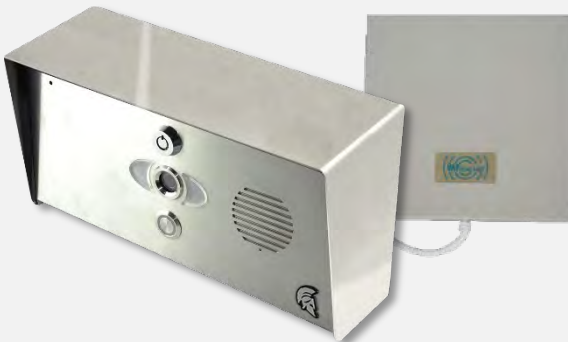
(Kit includes speech panel, antenna, power supply and install manual)



All black pedestal panels, marine grade, brushed stainless steel construction with gloss acrylic trim and powder coated aluminium hood. Modern blue illuminated buttons. Panels available with and without Keypad.

PRAE-IP-PS-US

(Kit includes speech panel, antenna, power supply and install manual)



PRAE-IP-PSK-US

(Kit includes speech panel, antenna, power supply and install manual)



All stainless, marine grade steel pedestal mount IP intercom. Modern white illuminated buttons. Panels available with and without Keypad.

PRAE-IP-AB-US

(Kit includes speech panel, antenna, power supply and install manual)



PRAE-IP-ABK-US

(Kit includes speech panel, antenna, power supply and install manual)



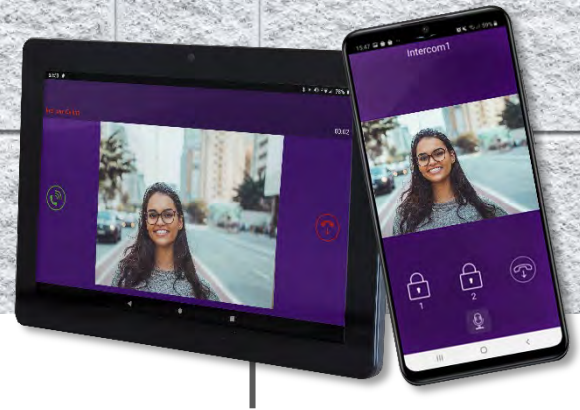
Modern blue back lighting effect. Marine grade, brushed stainless steel construction with black gloss acrylic faceplate. Panels available with and without Keypad.





Praetorian Guard

4G-IP Video Intercom



New Praetorian APP

Praetorian Guard IP Intercom complete with 4G access point. The access point will provide an internet connection via a compatible SIM card*

- Speak to your visitors from anywhere in the world.
- Grant access remotely - Send a command to the gate motor via the app to open your gates etc.
- Keypad Codes – 24-7 / Timed / Temporary (Optional)
- No Touch Access - PROX Cards/ Tags - 24-7 / Timed / Temporary (Optional)
- Voicemail - Visitors can leave a video message when unanswered.
- Multi-User - Add up to 8 maximum devices per Intercom ID. (incl ADMIN user. 4 maximum for optimal performance.)
- Connect via WiFi, LAN Cable or 4G Access Point (Sold Separately) (Dualband WIFI. 2.4 & 5.8G wifi (IEEE 802.11a/b/g/n/ac)
- Volume of external speaker adjustable at the call-point.
- Super clear, 120° HD camera image.

* MIN 1.5MB UPLOAD.

* MIN 1GB P/MIN DATA (Depending on usage).



Praetorian Guard



4G-IP MODULAR Video Intercom



PRAE-4G-MOD-IB-US

Modular 1x1 call panel and 4G router. Button with blue lighting.



PRAE-4G-MOD-IBK-US

1x2 Modular call panel with keypad and 4G router. Keypad/button with blue lighting.



PRAE-4G-MOD-IBPK-US

Modular 1x2 call panel with **keypad** & **prox** reader and 4G router. Keypad/button with blue lighting.



PRAE-4G-MOD-IBP-US

Modular 1x2 call panel with **prox** reader and 4G router. Button with blue lighting.

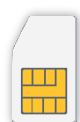


Built in 4G Modular options

Have the choice of a Module with 4G access point built into the Modular Unit.

PRAE-4G-MOD-IB-ROUTER-US

Modular 1x2 call panel. With 4G router built in.



4G Blank Module.



PRAE-4G-MOD-IBK-ROUTER-US

Modular 1x3 call panel, 4G router built in & keypad. Keypad/button with blue lighting.



4G Blank Module.



PRAE-4G-MOD-IBPK-ROUTER-US

Modular 1x3 call panel. 4G router built in, keypad & prox reader. Keypad/button with blue lighting.



4G Blank Module.



Prox reader & Keypad Module



PRAE-4G-MOD-PIBP-ROUTER-US

Modular 1x3 call panel. 4G router built in & prox reader. Keypad/button with blue lighting.



4G Blank Module.



Prox reader Module





Kits and part numbers

PRAE-4G-PB-US



PRAE-4GUS-PBK-US



Pedestal mountable & modern blue illuminated buttons. Marine grade, brushed stainless steel construction with gloss acrylic faceplate and powder coated aluminium hood. **Built in 4G router.** (Kit includes speech panel, power supply and install manual)

PRAE-4G-PS-US



PRAE-4GUS-PSK-US



All stainless, marine grade steel pedestal mount IP intercom. Modern white illuminated buttons. Panels available with and without Keypad. **Built in 4G router.** (Kit includes speech panel, power supply and install manual)

PRAE-4G-AB-US



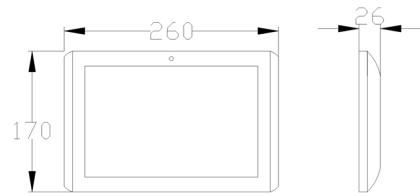
PRAE-4G-ABK-US



Modern blue back lighting effect. Marine grade, brushed stainless steel construction with gloss acrylic trim. (Kit includes speech panel, 4G modem, power supply and install manual)

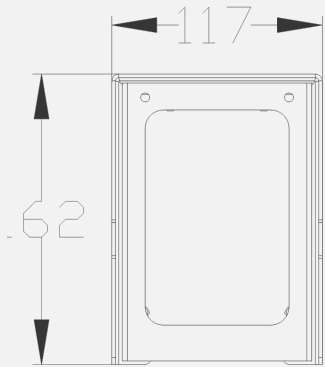


MON-11-US

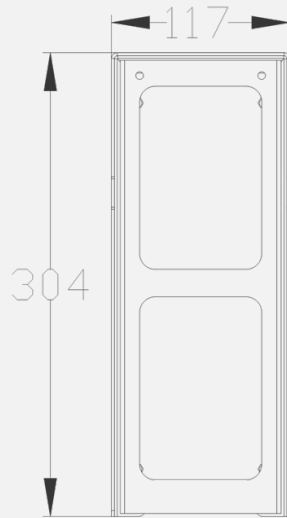


- Wall mount touch screen monitor (1280x800 Resolution), compatible with the **Praetorian system**.
- 10.1 inch screen IPS LCD android screen.
- Wifi, Ethernet & Bluetooth connections.
- POE supplied (12V DC can be purchased separately)
- Complete with wall mount bracket.
- Android OS (8.1) with Praetorian app pre-loaded.
- RK3288, Quad-core cortex A17, 1.6G.

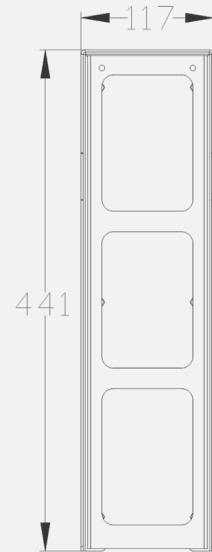
Call Panel Dimensions



MOD-1X1 (MODULAR)

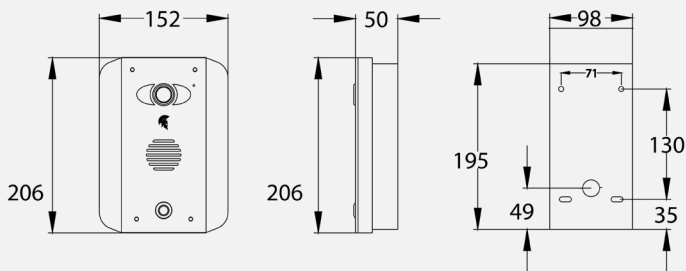


MOD-1X2 (MODULAR)

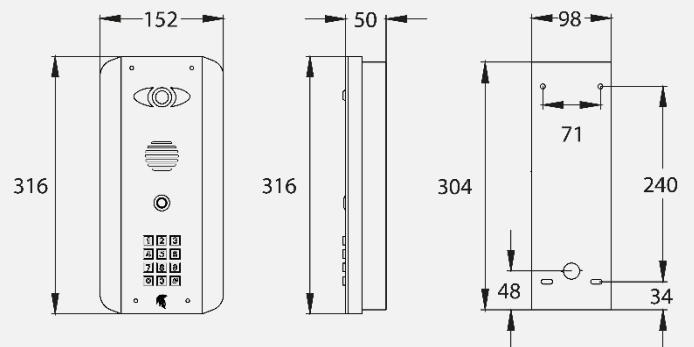


MOD-1X3 (MODULAR)

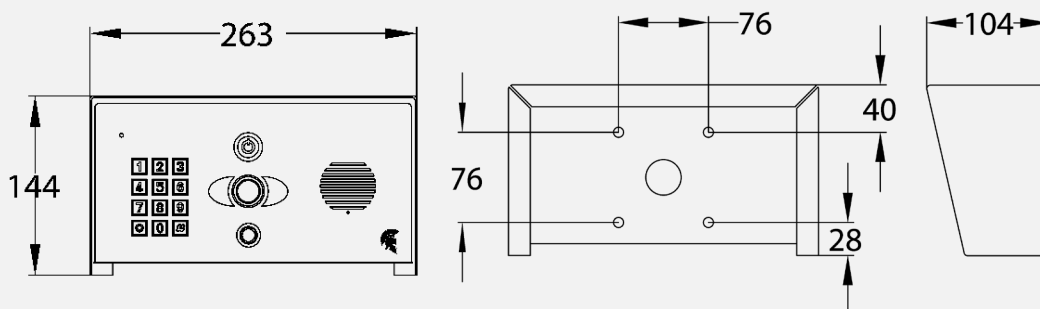
Praetorian Architectural Panel (non keypad)



Praetorian Architectural Panel (keypad)



Praetorian Pedestal Panel





TEL: +1 321-900-4599

Email. sales@aesglobalus.com

Suite 1016, 1333 Gateway Drive, Melbourne, FL, USA,
32901.